

Model 8512935 / 8512936 includes the following

Item	Part no.	Description
1	8512935	250 lbs. Power drive overload clutch
*	8512936	450 lbs. Power drive overload clutch
ACCESSORIES SHOWN BUT NOT INCLUDED		
2	8513321	Digital 100 Winch 4:1- 8 :1 Power Drive Winch
*	8513323	Digital 200 Winch 4:1- 8 :1 Power Drive Winch
*	8513325	Digital 300 Winch 4:1- 8 :1 Power Drive Winch

DESCRIPTION

The UCL Safety Systems Power Drive Overload Clutch is designed to guard against injury and system damage resulting from the entanglement of lifelines on UCL Digital series Power Drive Winches. Available in two factory preset working load limits (250 lb. or 450 lb.) to meet various applications and regulatory requirements, the clutch disengages at double the working load to limit line tension.

General Specifications:

Maximum Working Load	
Model 12935	250 lb. (110 Kg.)
Model 12936	450 lb. (204 Kg.)
Clutch Slip Load	
Model 12935	500 lb. (220 Kg.)
Model 12936	900 lb. (408 Kg.)
Weight	2.8 lb. (1.27 Kg.)

Materials & Construction:

General Construction	Welded Steel
Weld Certification	CWB-47.1
Material	
Aluminum	6061-T6 Aluminum
Steel	H.R. Plate & Bar
Finish	
Aluminum	Black Anodize
Steel	MIL-A-8625E Type II, Class 2 Zinc Dichromate plated
Plating Specification	ASTM. B633-85 Type II, SC2
Input Shaft Material Specification	ASTM F 835
Clutch Pad Material	Proprietary Bronze Brake Pad Material

Power Drill Requirements:

Minimum Chuck Size	1/2" (13 mm)
Maximum Drill Speed	*Fixed Speed Drills 300 RPM (No Load) *Variable Speed 0-300 RPM (No Load)
Minimum Torque	400 in.lbs (45 N.m)

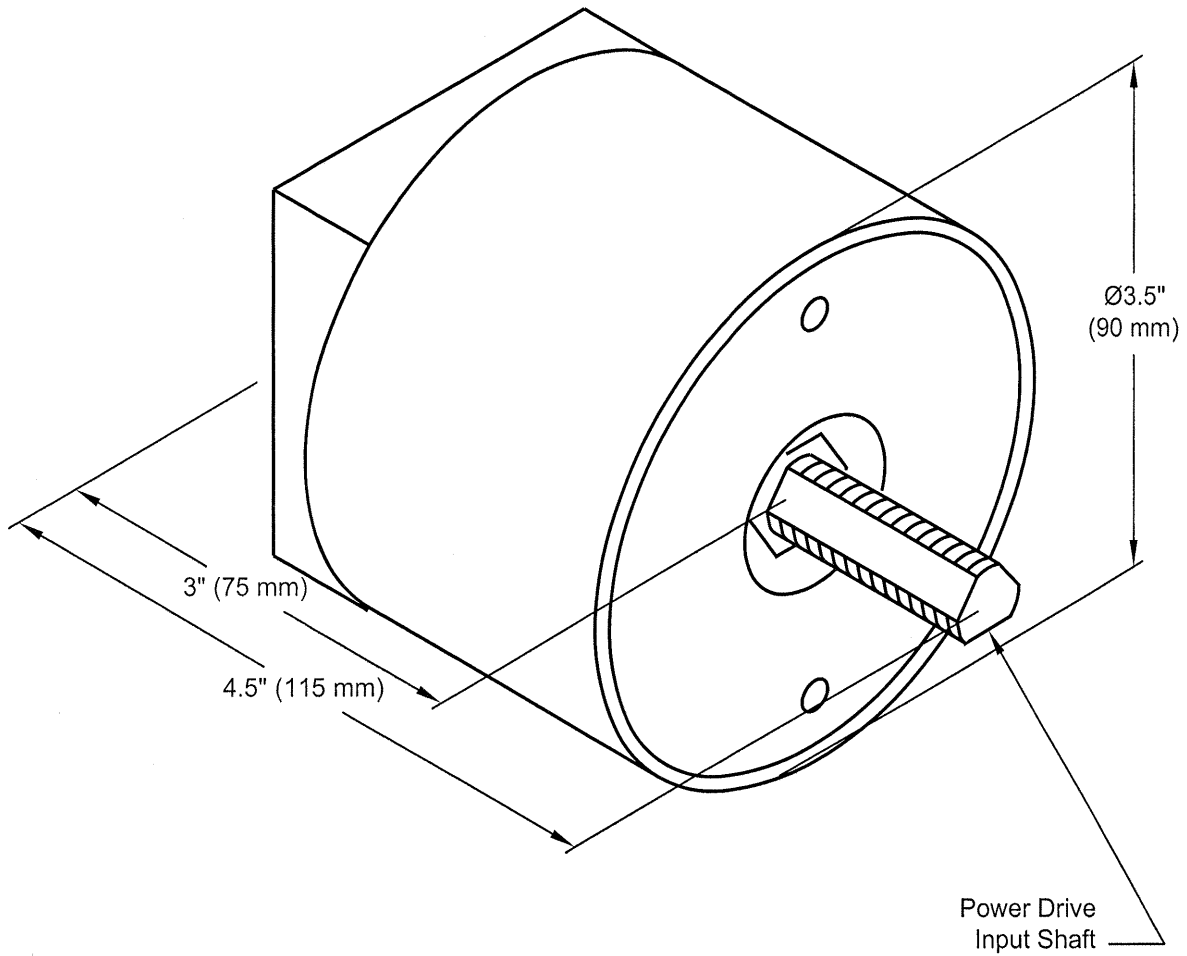
Drill Recommendations:

Fixed: Milwaukee Hole Hawg 1675-6
 Variable: Milwaukee Hole Hawg 1678-20
 *Both drills **MUST BE** used in **LOW SPEED** only.

Application Restrictions

1. This device is designed for use with UCL Digital Series Power Drive Winches **ONLY**. Any other use **MUST BE** approved in writing by Unique Concepts Ltd.
2. Power Drive motors & power drills used as drive motors **MUST BE** manufactured and/or approved by Unique Concepts Ltd.
3. Operator **MUST KEEP** manual crank handle supplied with the winch(s) available at **ALL TIMES** during use to facilitate winch operation in event of a power or motor failure.
4. All equipment & accessories **MUST BE** installed, used, inspected & maintained according to the manufacturer's instructions.
5. Each installation **MUST BE** approved to local standards by a qualified engineer.

DRAFT



DRAFT